

# HF 180

COM1 - white  
 EAN 4007841 032883  
 Article number 032883



high-frequency sensor 180°



max. 8 m

2000 W

max. 2000 W



IP20



2 - 1000 lux



30 sec - 30 min



indoor sensor



energy saving

5 years

manufacturer's warranty steinel-professional.de/garantie



CE

## Function description

Reliably detects through partition walls. HF 180 presence switch. The high-frequency sensor system quickly detects any movement regardless of temperature – even through partition walls, e.g. offices, entrance rooms or toilet facilities. 180° angle of coverage, up to 8 m reach. Intelligent technology, high-calibre design, easy 3-wire installation.

## Technical specifications

Dimensions (L x W x H)	30 x 80 x 80 mm
Manufacturer's Warranty	5 years
Settings via	Remote control, DIP switches, Potentiometers, Smart Remote
With remote control	No
Version	COM1 - white
PU1, EAN	4007841032883
Type	Presence detector
Application, place	Indoors
Application, room	one-person office, corridor / aisle, function room / ancillary room, kitchenette, stairwell, WC / washroom, Indoors
Colour	white
Colour, RAL	9010
Includes corner wall mount	No
Installation site	wall
Installation	Concealed wiring, Wall

Capacitive load in µF	176 µF
Technology, sensors	High frequency, Light sensor
Mounting height	1,20 – 2,20 m
Mounting height max.	2,20 m
Optimum mounting height	1,2 m
HF-system	5,8 GHz
Detection	also through glass, wood and stud walls
Detection angle	180 °
Angle of aperture	140 °
Sneak-by guard	Yes
Capability of masking out individual segments	No
Electronic scalability	Yes
Mechanical scalability	No
Reach, radial	r = 8 m (101 m <sup>2</sup> )
Reach, tangential	r = 8 m (101 m <sup>2</sup> )

# HF 180

COM1 - white  
 EAN 4007841 032883  
 Article number 032883



## Technical specifications

IP-rating	IP20
Ambient temperature	from 0 up to 40 °C
Material	Plastic
Mains power supply	220 – 240 V / 50 – 60 Hz
Switching output 1, resistive	2000 W
Switching output 1, number of LEDs / fluorescent lamps	8 pcs.
Fluorescent lamps, electronic ballast	1000 W
Fluorescent lamps, uncorrected	1000 VA
Fluorescent lamps, series-corrected	400 VA
Fluorescent lamps, parallel-corrected	500 VA
Switching output 1, low-voltage halogen lamps	2000 VA
LED lamps < 2 W	100 W
LED lamps > 2 W < 8 W	300 W
LED lamps > 8 W	600 W

Switching zones	96 switching zones
Transmitter power	< 1 mW
Functions	Normal / test mode, Semi-/fully automatic, Switch active / switch inactive, Manual ON / ON-OFF
Twilight setting	2 – 1000 lx
Time setting	30 s – 30 Min.
Basic light level function	No
Main light adjustable	No
Twilight setting TEACH	Yes
Constant-lighting control	No
Interconnection	Yes
Type of interconnection	Master/master, Master/slave
Interconnection via	Cable
Product category	Presence Switch

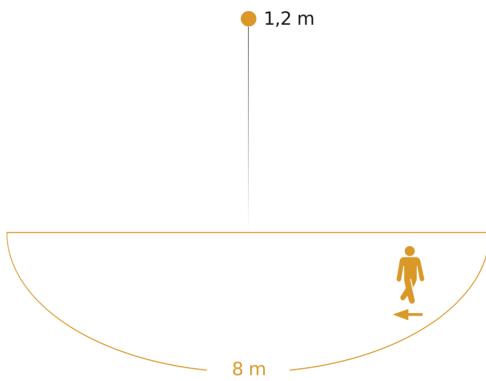
## Accessories

EAN 4007841 034160	Adapter frame for IR/HF 180
EAN 4007841 034184	Adapter frame for IR/HF 180
EAN 4007841 034139	Adapter frame for IR/HF 180
EAN 4007841 559410	Service remote control RC8
EAN 4007841 009151	Remote control Smart Remote

# HF 180

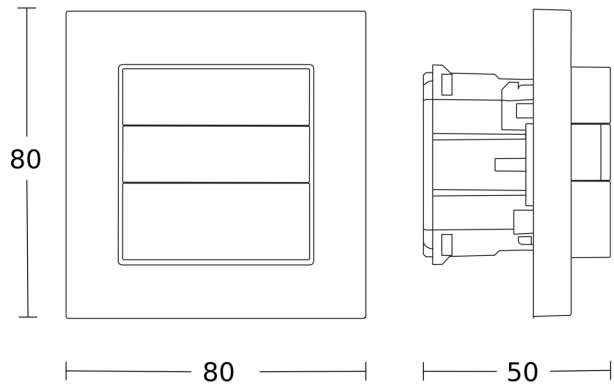
COM1 - white  
EAN 4007841 032883  
Article number 032883

## Detection Zone

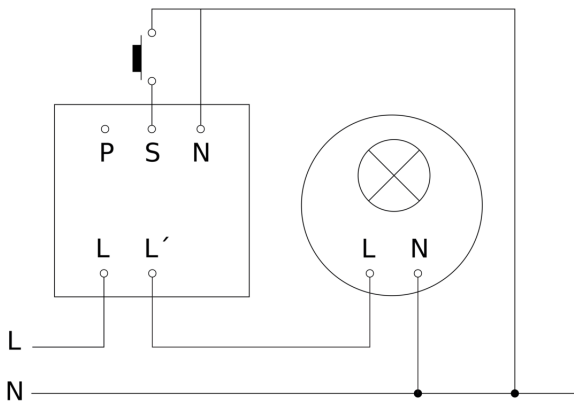


Possible mounting height: 1,20 m - 2,20 m  
Orange: tangential

## Dimension Drawing



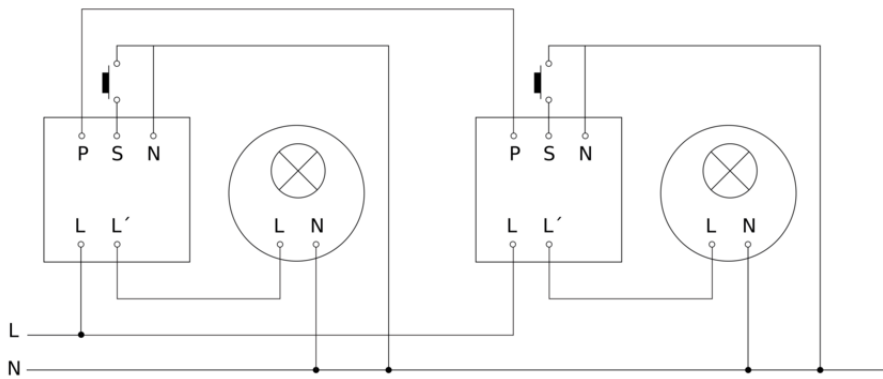
## Master circuit diagram



# HF 180

COM1 - white  
EAN 4007841 032883  
Article number 032883

## Master/master interconnection circuit diagram



## Master/slave interconnection circuit diagram

